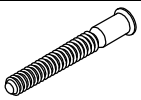
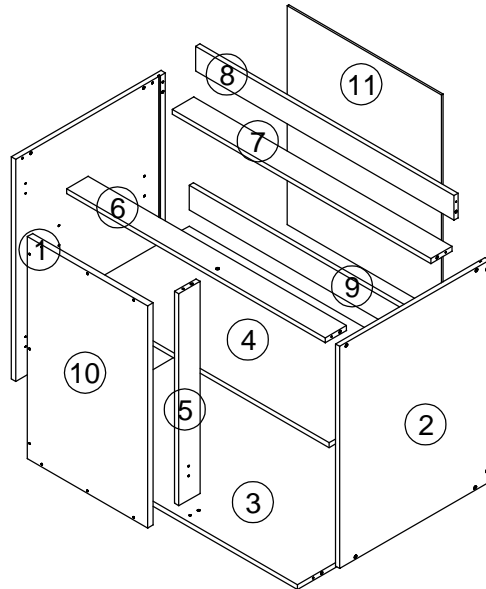
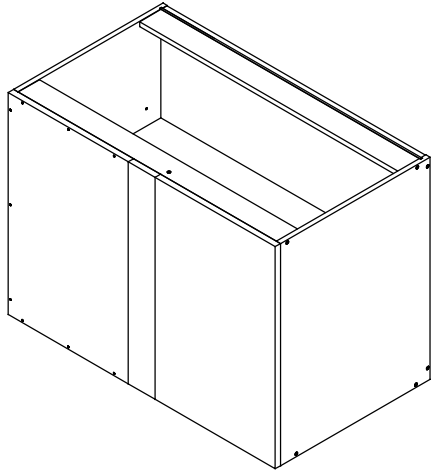
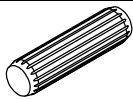


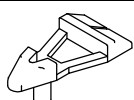
Base Blind Unit



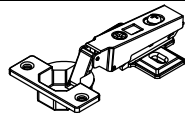
A:14pcs
ø7x48mm



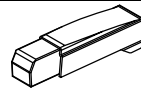
B:14pcs
ø8x40mm



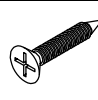
C:4pcs



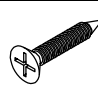
D:2pcs



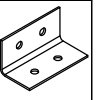
E:1pcs



F:16pcs
ø4x16mm

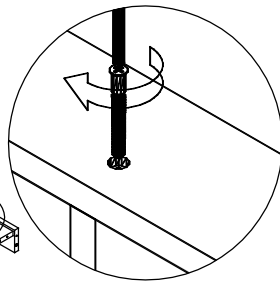
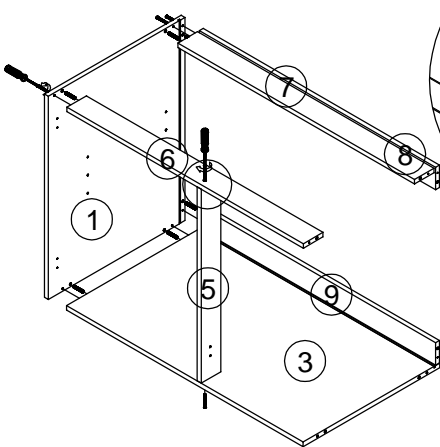


G:9pcs
ø4x26mm



H:2pcs

1



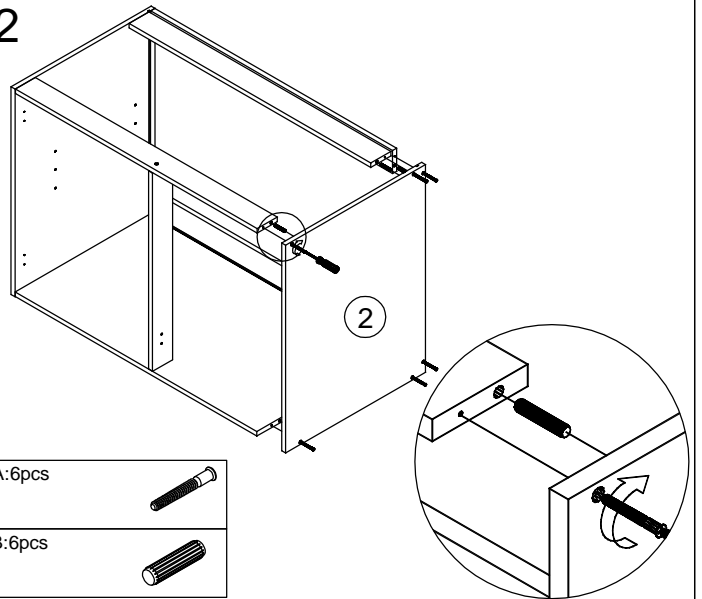
A:8pcs



B:8pcs



2



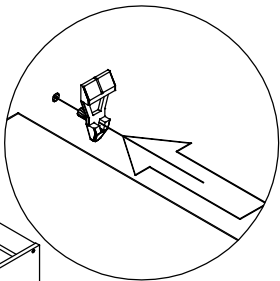
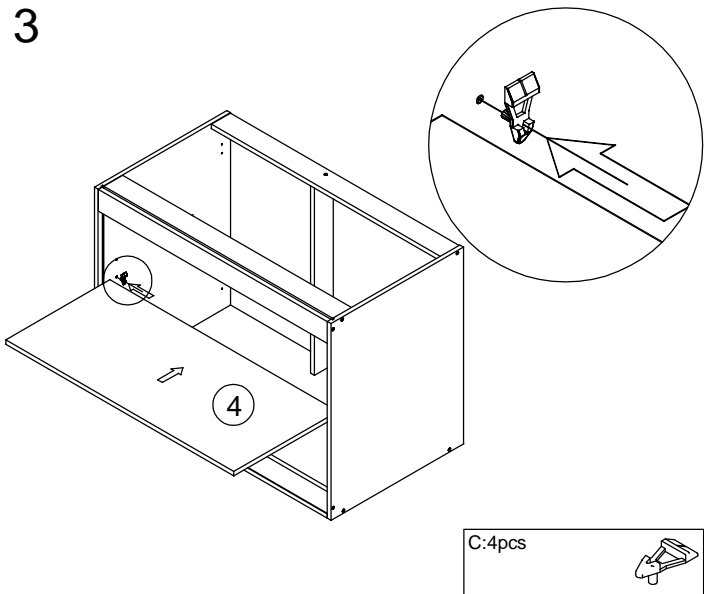
A:6pcs



B:6pcs



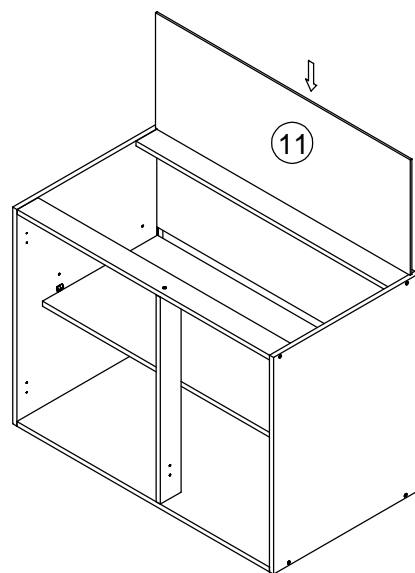
3



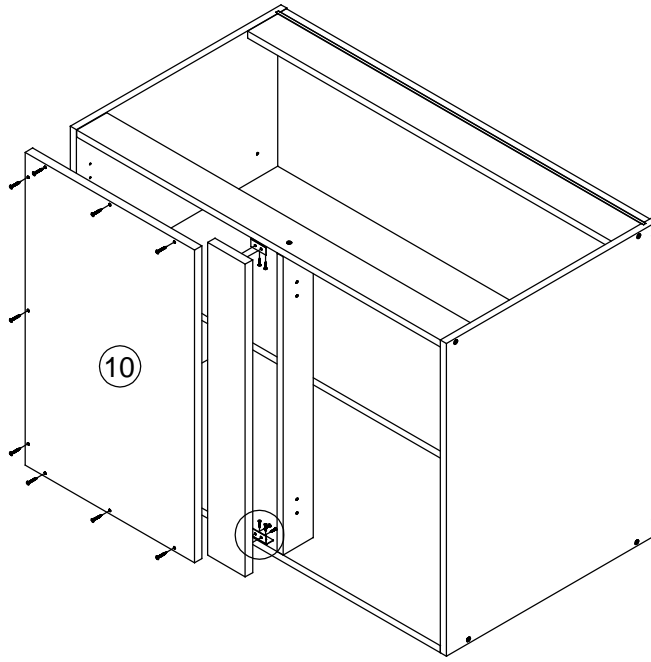
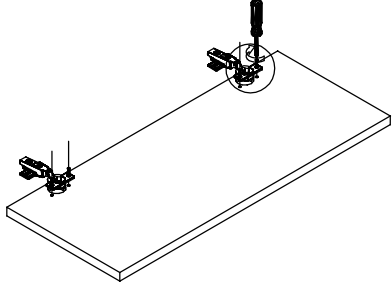
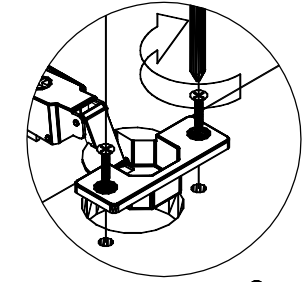
C:4pcs



4



5



D:2pcs



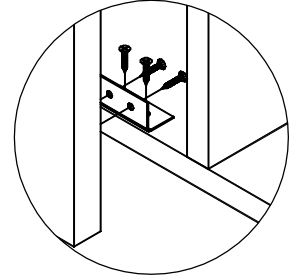
F:12pcs



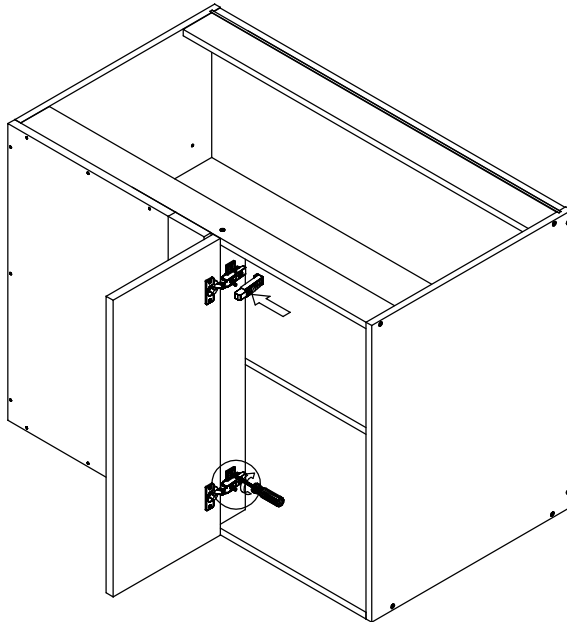
H:2pcs



G:9pcs



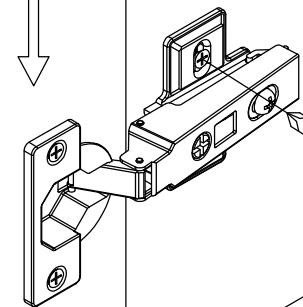
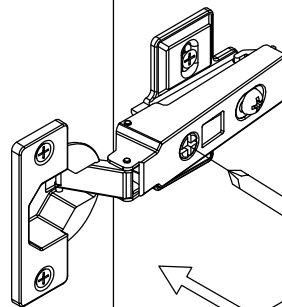
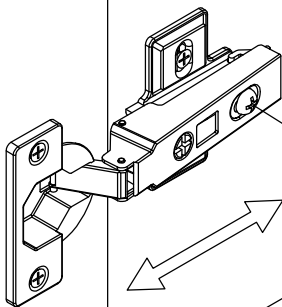
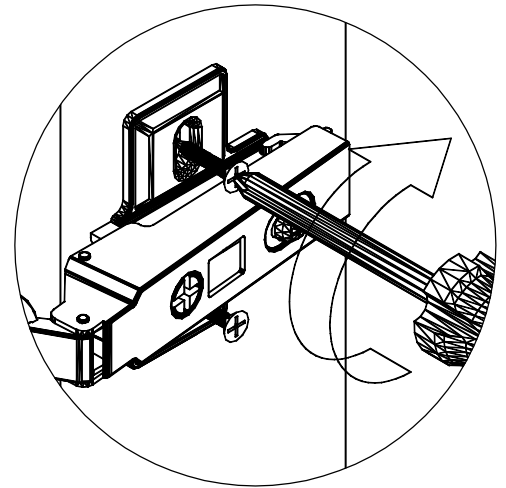
6



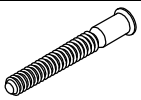
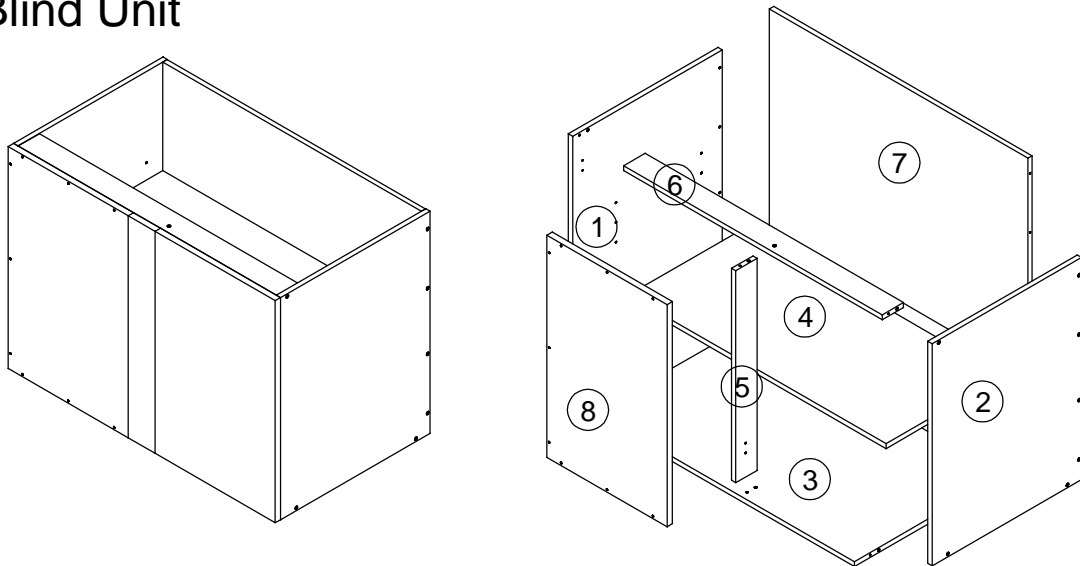
E:2pcs



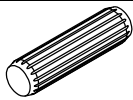
F:4pcs



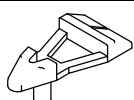
Base Blind Unit



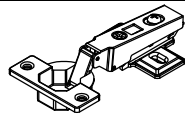
A:16pcs
Ø7x48mm



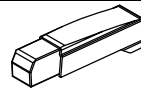
B:8pcs
Ø8x40mm



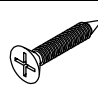
C:4pcs



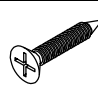
D:2pcs



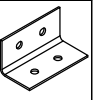
E:1pcs



F:16pcs
Ø4x16mm

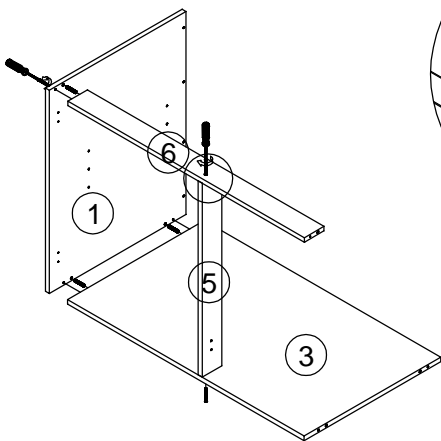


G:9pcs
Ø4x26mm



H:2pcs

1



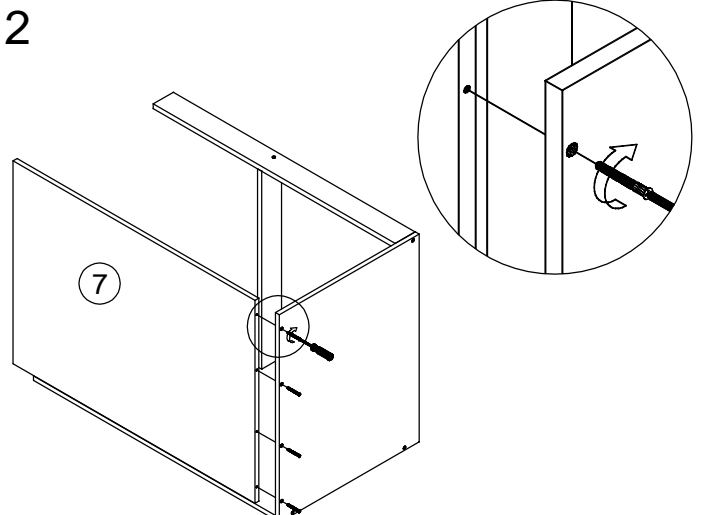
A:5pcs



B:5pcs



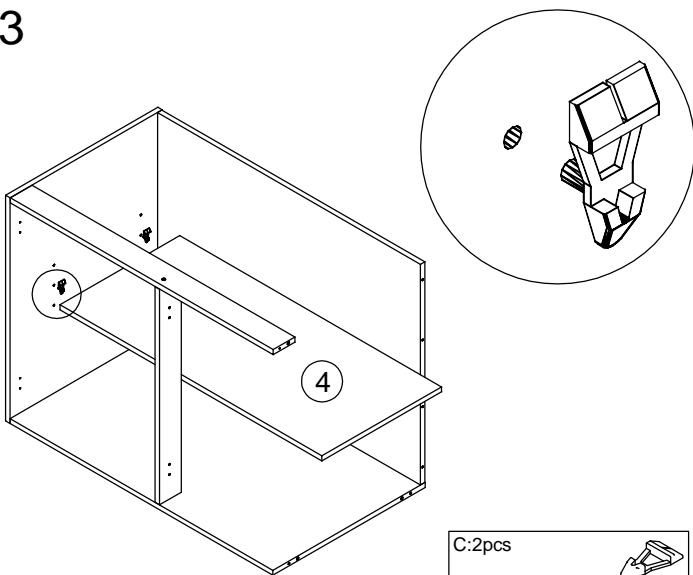
2



A:4pcs



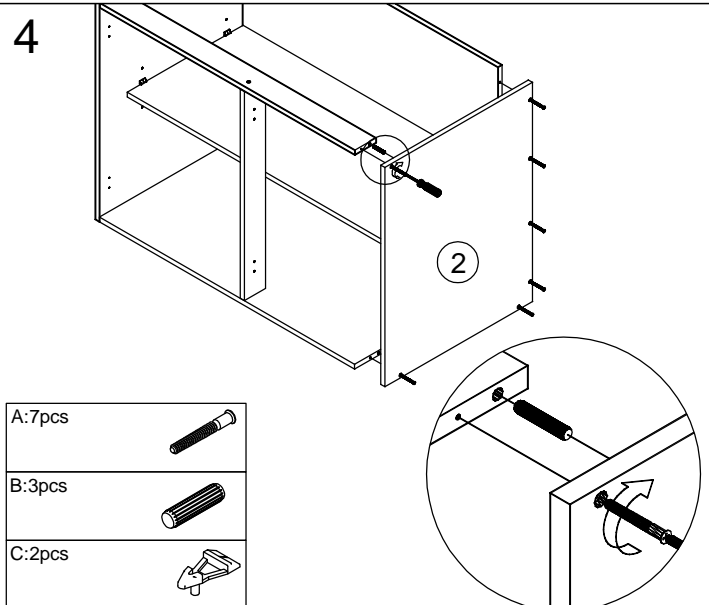
3



C:2pcs



4



A:7pcs



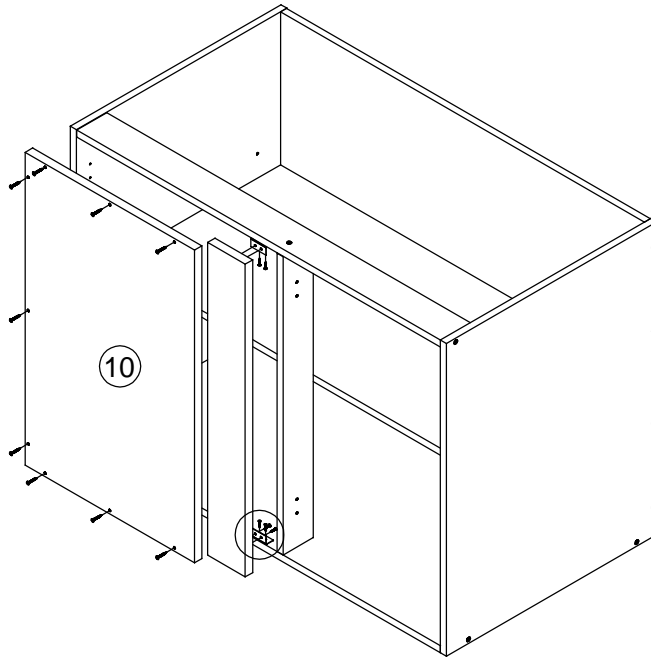
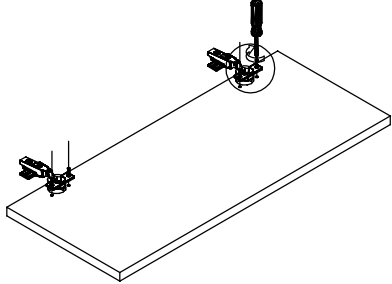
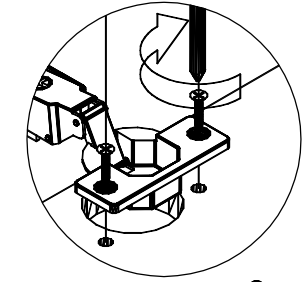
B:3pcs



C:2pcs



5



D:2pcs



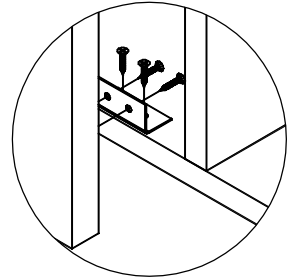
F:12pcs



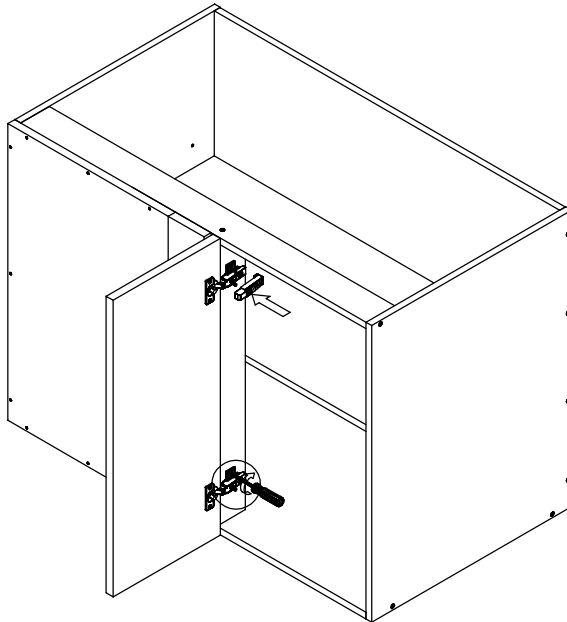
H:2pcs



G:9pcs



6



E:2pcs



F:4pcs

